



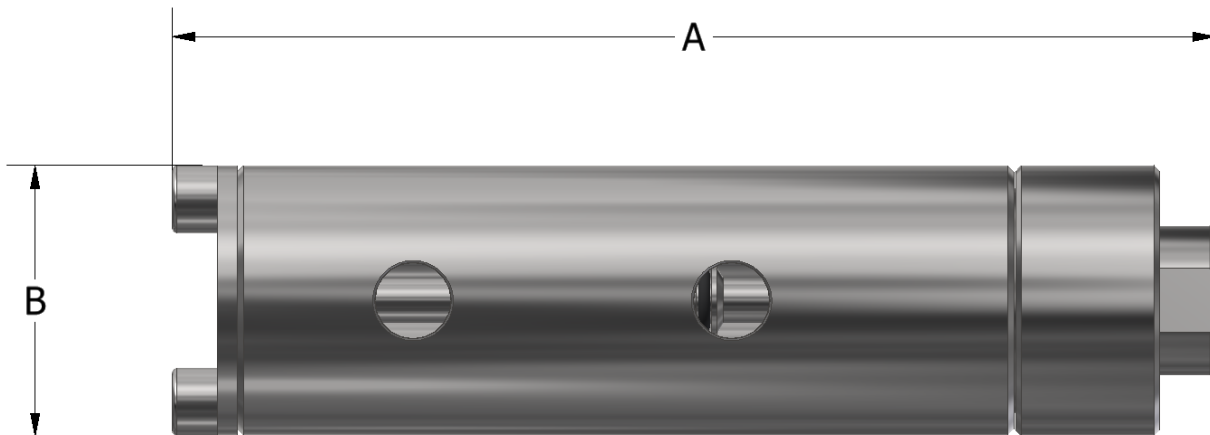
## OPERATION

The Ruelco RB-1 is a multi-pressure, universal control valve for production control and safety systems. It functions as an automatic reset, pilot operated, normally open or normally closed, block and bleed valve. The relay will allow inlet to outlet flow in one state and outlet to vent flow in the changed state. The high flow rate provides a fast closing time for any connected pneumatic devices.

## FEATURES

- 316 stainless steel construction (models to N.A.C.E. MR0175 available)
- Large Cv factor assures fast system response
- Fluorocarbon and nitrile seals are utilized for dependability
- Inconel X750 spring assures dependability in most corrosive environments
- Supply pressure and pilot cap pressure are independent of each other

UNIVERSAL CONTROL VALVE



## DIMENSIONS

A	5.45" (138.4 mm)
B	1.50" (38.1 mm)
CONNECTION PORT SIZES	1/4" FNPT
WEIGHT	2.25 LBS (1.02 kg)

PHONE: 504-340-0055  
FAX: 504-340-0056  
EMAIL: SALES@RUELCO.COM

1209 DISTRIBUTORS ROW  
NEW ORLEANS, LA 70123

## PARTS LIST

ITEM	QUANTITY	DESCRIPTION	MATERIAL
1	1	BASE	316 ST. STL.
2*	1	PISTON SEAL	NITRILE
3	1	PISTON	316 ST. STL.
4*	1	BASE O-RING	FLUOROCARBON
5	1	SPRING	INCONEL X-750
6	1	BODY	316 ST. STL.
7	1	SPOOL	316 ST. STL.
8*	4	SPOOL SEAL	FLUOROCARBON
9	2	SCREW	316 ST. STL.
10	1	END PLATE	316 ST. STL.

\* INDICATES ITEMS IN THE REPAIR KIT

## SPECIFICATIONS

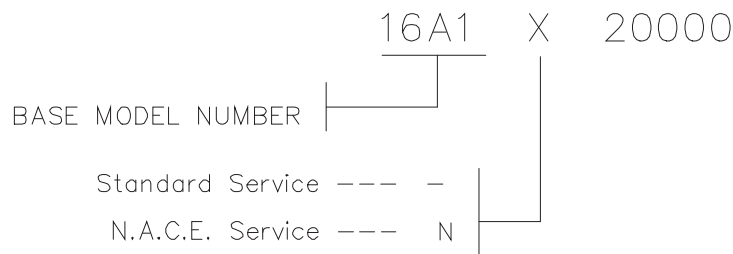
VALVE BODY MAX WORKING PRESSURE	150 PSI (10.3 BAR)
AMBIENT TEMPERATURE RANGE	-20 TO 250° F -29 TO 122° C
MINIMUM PILOT SIGNAL PRESSURE TO HOLD N.C. VALVE OPEN	25 PSI (1.7 BAR)
MINIMUM PILOT SIGNAL PRESSURE TO HOLD N.O. VALVE CLOSED	25 PSI (1.7 BAR)
Cv FACTOR	1.4

## REPAIR KIT

- 16-006-000

OTHER TEMPERATURE RANGES AND SEAL COMPOUNDS AVAILABLE UPON REQUEST

## ORDERING CODE



PHONE: 504-340-0055  
FAX: 504-340-0056  
EMAIL: SALES@RUELCO.COM

1209 DISTRIBUTORS ROW  
NEW ORLEANS, LA 70123

UNIVERSAL CONTROL VALVE

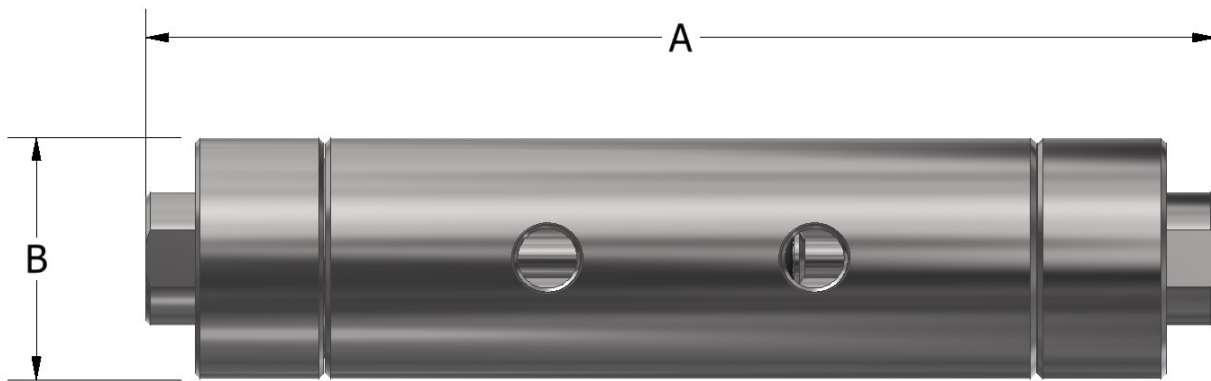


## OPERATION

The Ruelco Dual Pilot Relay is a universal relay operated by two pilot supply pressures. The relay will allow inlet to outlet flow in one state and outlet to vent flow in the changed state. The flow through the valve shifts upon presence of a pilot supply pressure. The relay will remain in that position until an opposing pilot supply signal is applied. The relay will also operate with the application of an adequate pressure differential between the two pilot caps, if both pressures are present at the same time.

## FEATURES

- 316 stainless steel construction (models to N.A.C.E. MR0175 available)
- Supply and pilot pressures are independent of each other
- Large Cv factor assures fast system response
- Fluorocarbon seals are utilized for dependability
- Relay position is held until it sees a pilot signal on the opposing cap



DUAL PILOT UNIVERSAL CONTROL

## DIMENSIONS

A	6.68" (169.7 mm)
B	1.50" (38.1 mm)
CONNECTION PORT SIZES	1/4" FNPT
WEIGHT	2.77 LBS (1.26 kg)

PHONE: 504-340-0055  
FAX: 504-340-0056  
EMAIL: SALES@RUELCO.COM

1209 DISTRIBUTORS ROW  
NEW ORLEANS, LA 70123



Proudly Distributed By

**TRIDENT** AUSTRALIA  
FLUID SYSTEMS & COMPONENTS

## PARTS LIST

ITEM	QUANTITY	DESCRIPTION	MATERIAL
1	2	DUAL PILOT BASE	316 ST. STL.
2*	2	PISTON SEAL	FLUOROCARBON
3*	2	CUT PISTON SEAL	FLUOROCARBON
4	2	DUAL PILOT SHAFT	316 ST. STL.
5	1	DUAL PILOT SHAFT	316 ST. STL.
6*	4	SHAFT SEAL	FLUOROCARBON
7	1	DUAL PILOT BODY	316 ST. STL.
8*	2	BASE SEAL	FLUOROCARBON
9	2	PISTON SCREW	316 ST. STL.

\* INDICATES ITEMS IN THE REPAIR KIT

## SPECIFICATIONS

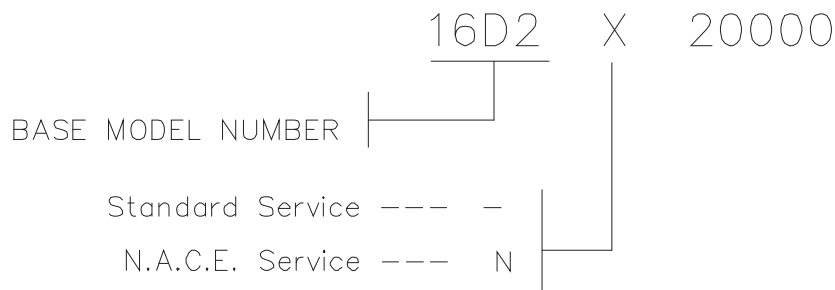
VALVE BODY MAX WORKING PRESSURE	150 PSI (10.3 BAR)
AMBIENT TEMPERATURE RANGE	-20 TO 250° F -29 TO 122° C
MINIMUM PILOT SIGNAL PRESSURE TO CHANGE RELAY POSITION	35 PSI (2.41 BAR)
Cv FACTOR	1.4

## REPAIR KIT

- 16-023-000

OTHER TEMPERATURE RANGES AND SEAL COMPOUNDS AVAILABLE UPON REQUEST

## ORDERING CODE



PHONE: 504-340-0055  
FAX: 504-340-0056  
EMAIL: SALES@RUELCO.COM

1209 DISTRIBUTORS ROW  
NEW ORLEANS, LA 70123

DUAL PILOT UNIVERSAL CONTROL



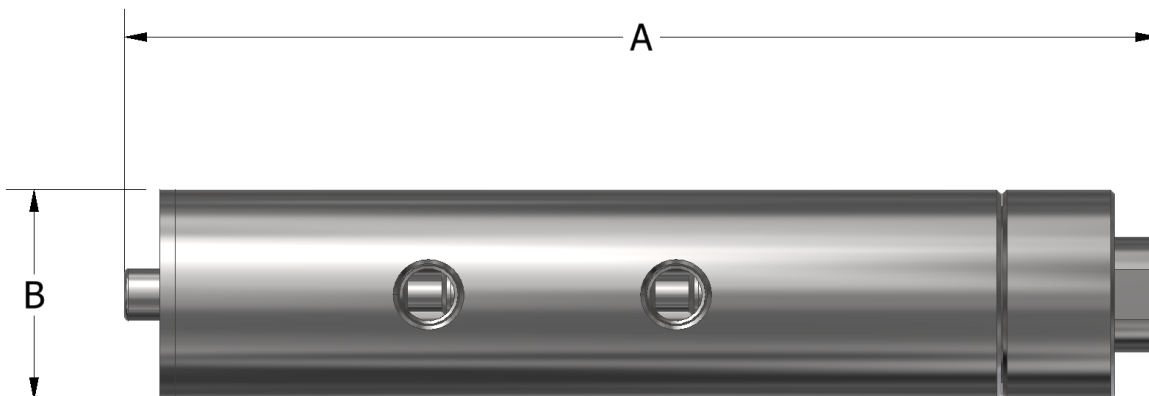
## OPERATION

The Ruelco 4-way 5/2 Pilot Relay is a Normally Open and Normally Closed relay operated by a single pilot supply . The single inlet will allow a Normally Open signal to the outlet while the Normally Closed outlet will vent. When the pilot signal is applied, the porting will change state with each side reversing the operation. The relay can easily control both sides of a double acting actuator or pneumatic pump with a single pilot supply. The internal spring ensures the relay will return to the original shelf state when the pilot supply signal is removed.

## FEATURES

- 316 stainless steel construction (models to N.A.C.E. MR0175 available)
- Large Cv factor assures fast system response
- Fluorocarbon and Nitrile seals are utilized for dependability
- Inconel X750 spring assures dependability in most corrosive environments
- Supply and pilot pressures are independent of each other

4-WAY 5/2 CONTROL VALVE



## DIMENSIONS

A	7.38" (187.45 mm)
B	1.50" (38.1 mm)
CONNECTION PORT SIZES	1/4" FNPT
WEIGHT	3.05 LBS (1.38 kg)

PHONE: 504-340-0055  
FAX: 504-340-0056  
EMAIL: SALES@RUELCO.COM

1209 DISTRIBUTORS ROW  
NEW ORLEANS, LA 70123



Proudly Distributed By

**TRIDENT** AUSTRALIA  
FLUID SYSTEMS & COMPONENTS

## PARTS LIST

ITEM	QUANTITY	DESCRIPTION	MATERIAL
1	1	BASE	316 ST. STL.
2*	1	PISTON SEAL	NITRILE
3	1	PISTON	316 ST. STL.
4*	1	BASE O-RING	FLUOROCARBON
5	1	SPRING	INCONEL X-750
6	1	BODY	316 ST. STL.
7	1	SPOOL	316 ST. STL.
8*	6	SPOOL SEAL	FLUOROCARBON
9	2	SCREW	316 ST. STL.
10	1	END PLATE	316 ST. STL.

\* INDICATES ITEMS IN THE REPAIR KIT

## SPECIFICATIONS

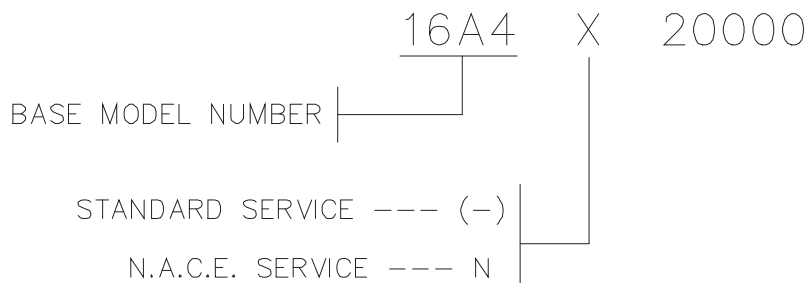
VALVE BODY MAX WORKING PRESSURE	150 PSI (10.3 BAR)
AMBIENT TEMPERATURE RANGE	-20 TO 250° F -29 TO 122° C
MINIMUM PILOT SIGNAL PRESSURE TO HOLD VALVE OPEN	35 PSI (2.41 BAR)
Cv FACTOR	1.4

## REPAIR KIT

- 16-032-000

OTHER TEMPERATURE RANGES AND SEAL COMPOUNDS AVAILABLE UPON REQUEST

## ORDERING CODE



PHONE: 504-340-0055  
FAX: 504-340-0056  
EMAIL: SALES@RUELCO.COM

1209 DISTRIBUTORS ROW  
NEW ORLEANS, LA 70123

4-WAY 5/2 CONTROL VALVE